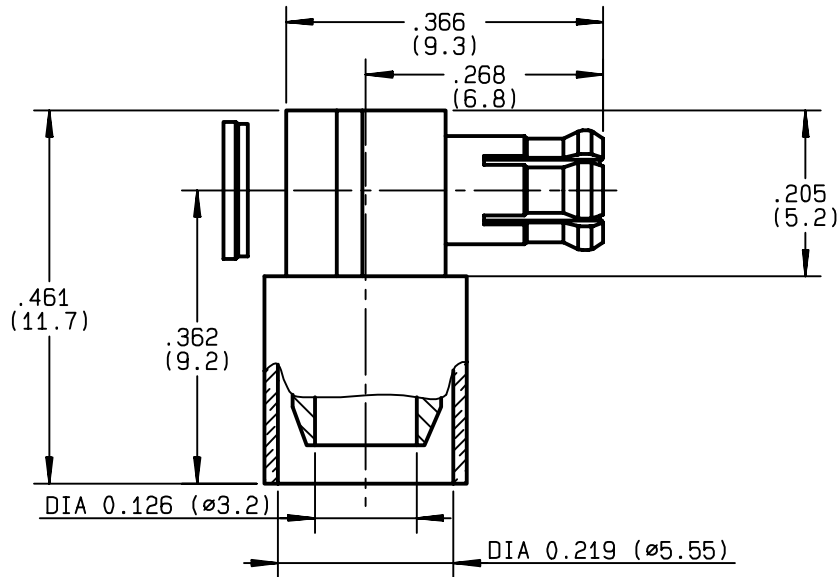


**RIGHT ANGLE PLUG CRIMP TYPE
CABLE 5/50 S**

R113.187.005
SERIES MCX



NOMINAL IMPEDANCE	50 Ω	CABLES : KX 15
FREQUENCY RANGE	0-6 GHz	RG 141
TEMPERATURE RATING	-55/+155 °C	RG 58
V.S.W.R	1.10 + .075 x F(GHz)Maxi	
RF INSERTION LOSS	0.5 √F(GHz) dB Maxi	
VOLTAGE RATING	335 Veff Maxi	
DIELECTRIC WITHSTANDING VOLTAGE	750 Veff Mini	
INSULATION RESISTANCE	1000 MΩMini	OTHERS CHARACTERISTICS
HERMETIC SEAL	NA Atm.cm ³ /s	CABLE RETENTION 127 N Mini
LEAKAGE (pressurized only)	NA	CENTER CONTACT RETENTION
MECHANICAL DURABILITY	500 Cycles	Axial force - mating end 10 N Mini
WEIGHT	gr	Axial force - opposite end 10 N Mini
SPECIFICATION		Torque NA cm.N Mini
		RECOMMENDED TORQUES
		Mating NA cm.N
		Panel nut NA cm.N
		Clamp nut NA cm.N

CONNECTOR PARTS	MATERIALS	FINISH	(all values are given) in micrometers
BODY	BRASS	NICKEL 2	
OUTER CONTACT	BERYLLIUM COPPER	NICKEL 2	
CENTER CONTACT	BRASS	GOLD 1.3 OVER NICKEL 2	
INSULATOR	PTFE	-	
GASKET		-	
OTHERS PIECES			

ISSUE	CREATION DATE	FILE PART-NUMBER
9841C00	02/03/1995	95-0400-802



MASTRIANO

The information given here is subject to change without notice.
Design changes may be in order to improve the product .

Connect to the future